

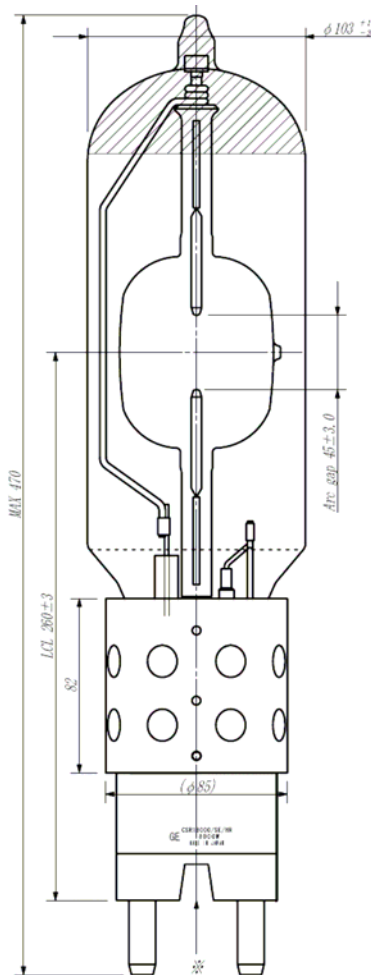
# CSR Lamps

The GE CSR18000/SE/HR lamp is GE's newest CSR entertainment metal halide lamp with an outer jacket and an arc gap of 35 mm providing greater optical control and luminance. This lamp is suitable for hot restrike applications. The CSR18000/SE/HR is mainly used in studio, and film lighting.

## Product Description CSR18000/SE/HR

•Order Description	CSR18000/SE/HR
•Product Code	22496
•Pack Quantity	1
•Rated Wattage	18000W
•Rated Voltage	225 +22 -8 V
•Lamp Current (ECG/MCG)*	80A
•Ignition Voltage (cold/hot)	65Kv
•Lumens	1650000
•Lumens per watt	92
•Ra	>90
•Chromaticity coordinates	x 0.325 y 0.327
•Color temperature	6000K
•Arc Length	35 +/- 3 mm
•Lamp length	460mm
•Light center length	260 +/- 3mm
•Lamp diameter	MAX $\phi$ 103mm
•Average rated life	250hrs
•Base	G51

\*ECG = electronic control gear/ MCG = Magnetic control gear



## Lamp Operation

Burn Position	Any
Maximum Seal Temperature	350° C
Cooling	Forced Cooling/Fan
Lamp can be used on electronic or AC magnetic Ballast/igniters	

## Application Information

- Do not exceed rated wattage or voltage
- Replace lamp at or before rated life
- Do not exceed rated seal temperature
- Use only with properly rated fixtures and ballasts



GE imagination at work

GE and General Electric are both registered trademarks of the General Electric Company, USA. © General Electric Company (USA) 2006

GE Consumer & Industrial Specialty Lighting is constantly developing and improving its products. For this reason, all product descriptions in this brochure are intended as a general guide, and we may change specifications time to time in the interest of product development, without prior notification or public announcement. All descriptions in this publication present only general particulars of the goods to which they refer and shall not form part of any contract. Data in this guide has been obtained in controlled experimental conditions. However, GE Lighting cannot accept any liability arising from the reliance on such data to the extent permitted by law.

CSR18000/SE/HR - Data sheet - February 2007